



VIPP 9w

SOAP DISPENSER WALL MOUNTED

vipp



Standard brick/concrete rawplugs enclosed

Please make sure to choose rawplugs according to the material in which you want to place the product. Substitute enclosed rawplugs with another type if needed.



Drill size: ø 6mm



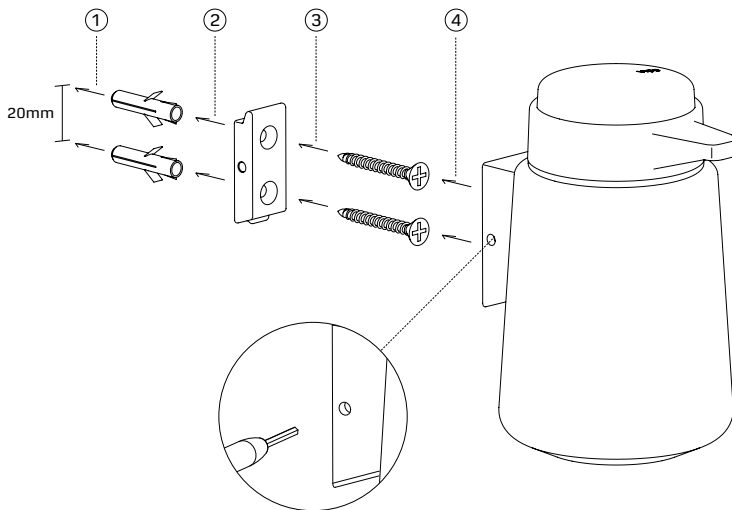
Drilling distance: 20mm

Mounting instructions

①
Drill holes and place rawplugs.

② ③
Mount bracket using screws.

④
Place the product onto the bracket.
The product is now ready for use.
The product can be taken off the bracket and put back on as needed.



Security feature

Security feature

Tighten the integrated screw on the product with the enclosed custom tool. The product is now locked to the bracket.