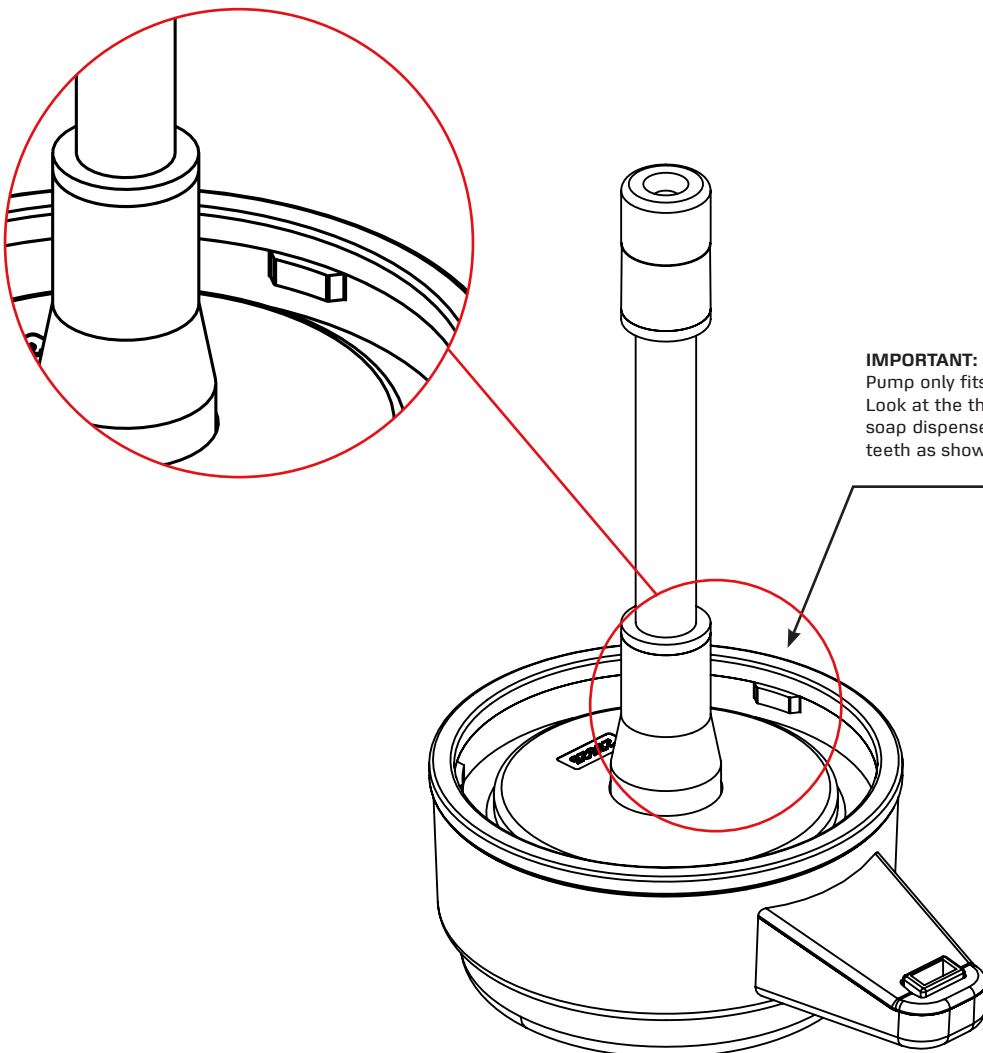


VIPP9
REPLACEMENT PUMP

89001



IMPORTANT:

Pump only fits soap dispensers purchased after 2010. Look at the threading to determine if it will fit your soap dispenser. Threading must have three plastic teeth as shown in the drawing here.