



CONGRATULATIONS ON YOUR NEW VIPP PRODUCT

PRODUCT INFORMATION

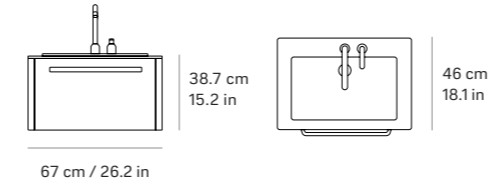


Whether we develop a bin, rethink the modular kitchen, or create a furniture line, we measure the quality of our products on their ability to stand the test of time. A recipe we have followed since 1939.

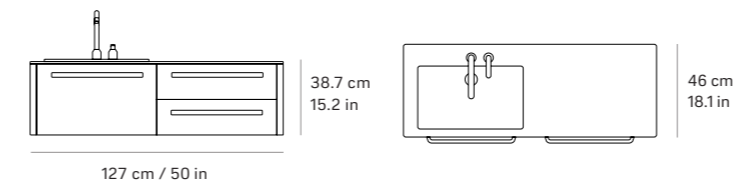
Kasper Egelund, CEO and 3rd generation Vipp owner

Made in powder-coated steel and aluminium, the bath modules feature drawers fitted with silicone on the inside of the handles and a tabletop in Cristalplant® with an integrated sink and a waste plug in solid stainless steel. The modules are coated to withstand high levels of moisture and are easily mountable with the custom-designed bracket.

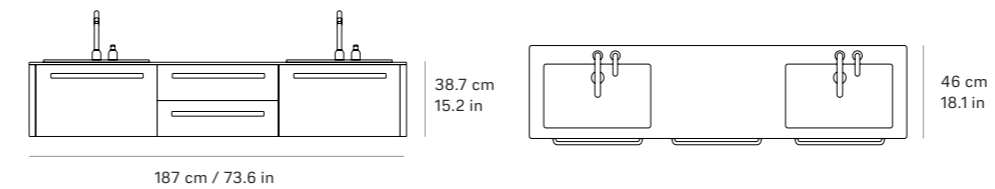
VIPP981 Bath Module Small



VIPP982 Bath Module Medium



VIPP983 Bath Module Large



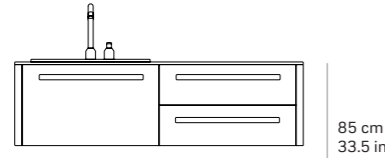
Colour: White. Materials: Powder-coated steel and aluminium, tabletop in Cristalplant®
Weight: Vipp981: 35 kg / 77 lbs, Vipp982: 70 kg / 154 lbs, Vipp983: 100 kg / 220 lbs

Bath Modules

VIPP981 | VIPP982 | VIPP983

INSTALLATION GUIDE

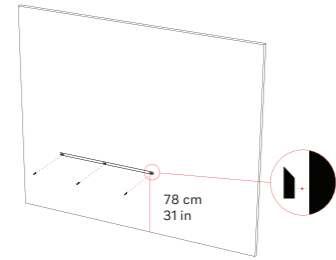
Please follow the installation guide to ensure correct installation. We recommend using a certified installer to mount the bath module. If you experience problems, please do not hesitate to contact our Customer Service at info@vip.com.



1

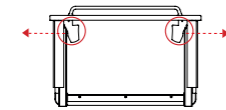
Attach the aluminium profile to the wall with either two, three or four screws depending on the model. Your installer will provide the correct screws for your wall.

Make sure that each screw can carry at least 50 kg / 110 lbs vertically. The screws used must be flat-headed and counter-sunk to make sure the screws flush with the surface of the aluminium profile.

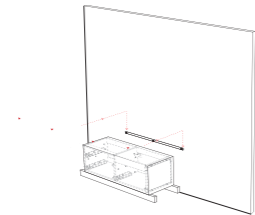


2

2.0 Remove all the drawers from the cabinet by pushing the orange handles to the side. For help, see the section 'drawer readjustment' in this folder.

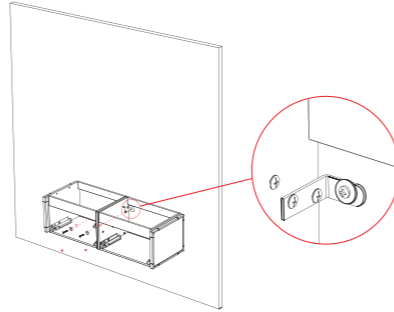


2.1 Lift the bath module on top of the bottom of the crate. Move the module in place on by using the bottom of the crate as a stabiliser. The module must interlock with the profile mounted on the wall. Then remove the crate from the module.



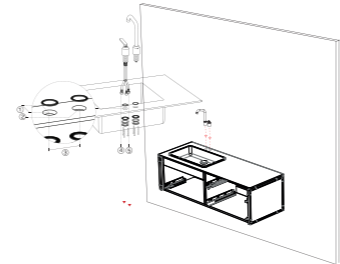
3

Secure the module by fastening two screws with washers in the angular brackets inside the cabinets.



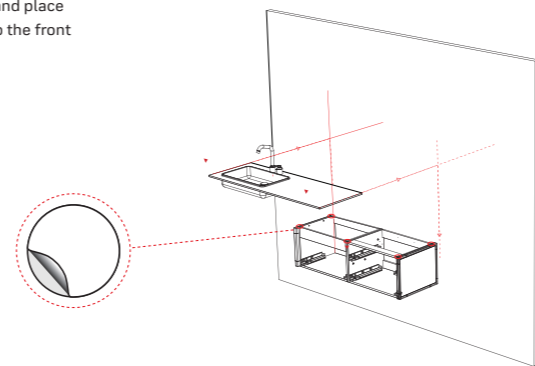
4

Mount the tap(s) as illustrated, and by following the user instruction for the tap. Make sure the brass ring is tightened hard, and the three allen screws are used for each brass ring.



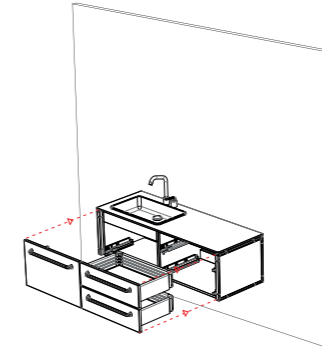
5

Remove the cover tape of the adhesive sticky dots and place them as illustrated. Then place the tabletop flush to the front and sides.



6

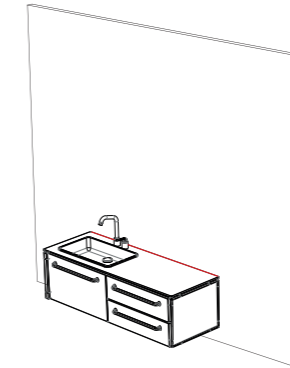
6.0 Place the drawers in the rollers and adjust the position. For help, see the section 'drawer adjustment' in this folder.



7

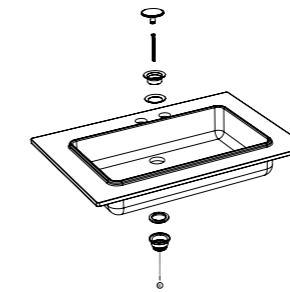
Apply a silicone sealant between the back side of the tabletop and the wall. Connect the water supply and drainage. We recommend using a certified installer for both tasks.

NB! Silicone is not supplied by Vipp.



WASTE PLUG

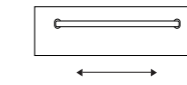
Mount the waste plug as illustrated in the correct order and by following the user instruction included with the waste plug.



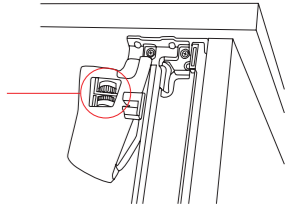
DRAWER READJUSTMENT

Once your Vipp bath module is installed and the drawers are filled, a readjustment may be needed. Please follow the guidelines below for an easy readjustment of your bath module.

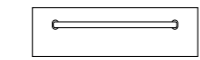
Adjust the drawer sideways.



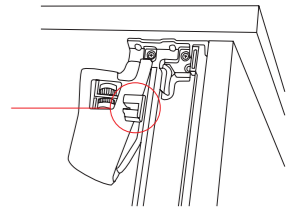
Scroll the wheel (in both sides) to adjust the drawer sideways.



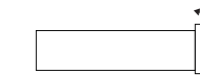
Adjust the height of the drawer.



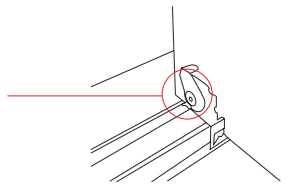
Push/pull the tap in/outwards to adjust the height of the drawer.



Tilt the drawer in-and-outwards.



Push both orange brackets inwards to release drawer from rummer.



CARE INSTRUCTIONS

Cristalplant® tabletop: Most spills, residues, and stains can be removed by using a damp cloth with a mild cream cleanser or common household detergent. To deal with a persistent stain, use a plastic scouring pad to rub over the stain with a detergent or ammonia-based surface cleaner in a circular motion. Make sure to clean the entire surface from time to time to avoid an uneven finish. Do not use solvent agents like acetone or trichloroethylene as well as other aggressive chemical substances like muriatic acid or caustic soda. Neither use detergents for industrial use or others of unknown aggressive actions. When in doubt, test on a less visible spot before application. Do not use very aggressive substance generally used to clear sink pipes or solvents used in the painting industry.

Frame and drawer fronts: Keep the surface of the bath module cabinet clean and dry. For cleaning, use a lint-free cloth or a soft brush with warm water and a mild detergent. **Tips for stains:** Use alcohol or glass cleaner to remove grease stains, and follow the guide for maintenance above. **Waste plug:** We recommend the use of a care product for stainless steel to make the surface water and dirt repellent. This makes daily cleaning with a damp lint-free cleaning cloth much easier. Remember not to use chlorine/abrasive cleaners as this may damage the surface. Stainless steel may be permanently stained if water/fat/cleaning products are allowed to sit on the surface for an extended period of time.