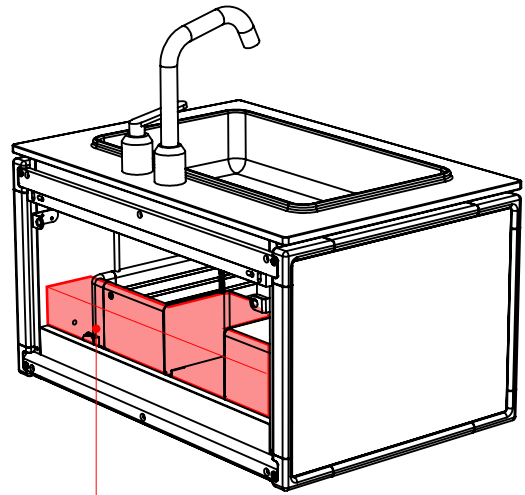
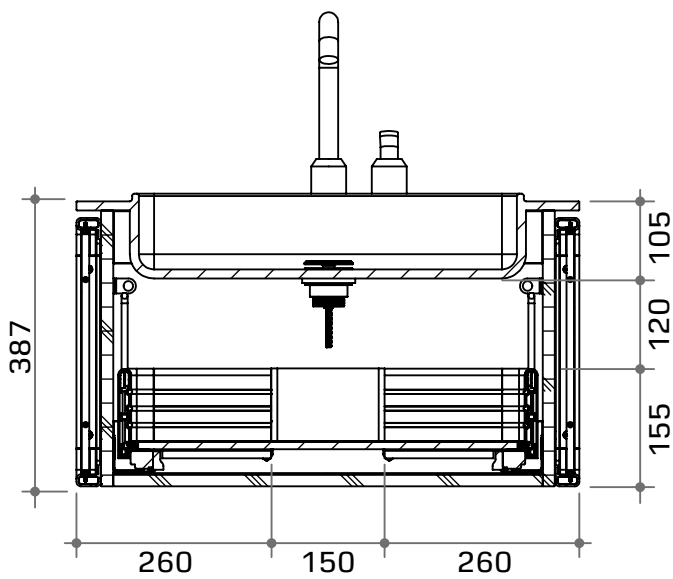
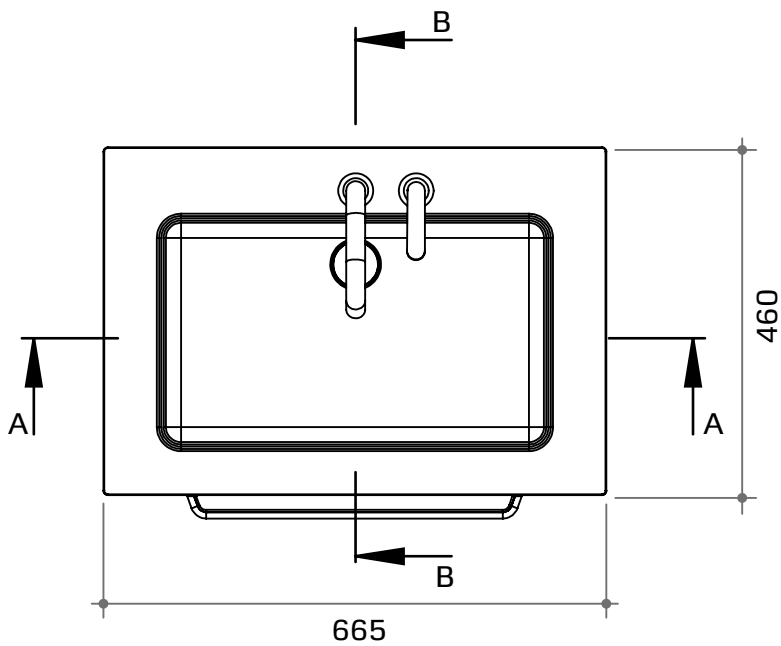


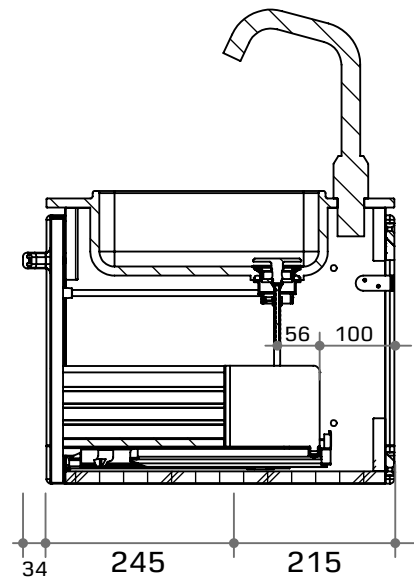
VIPP981
BATH MODULE
SMALL



Clearance area for drain and pipes



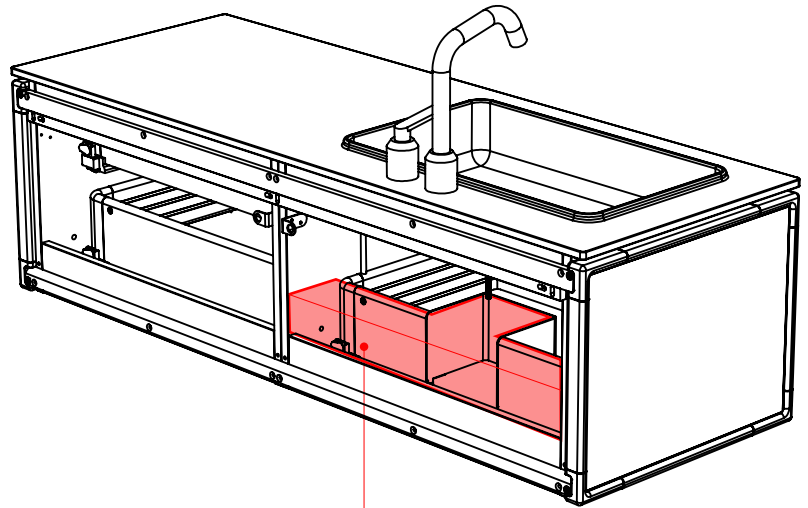
SECTION A-A



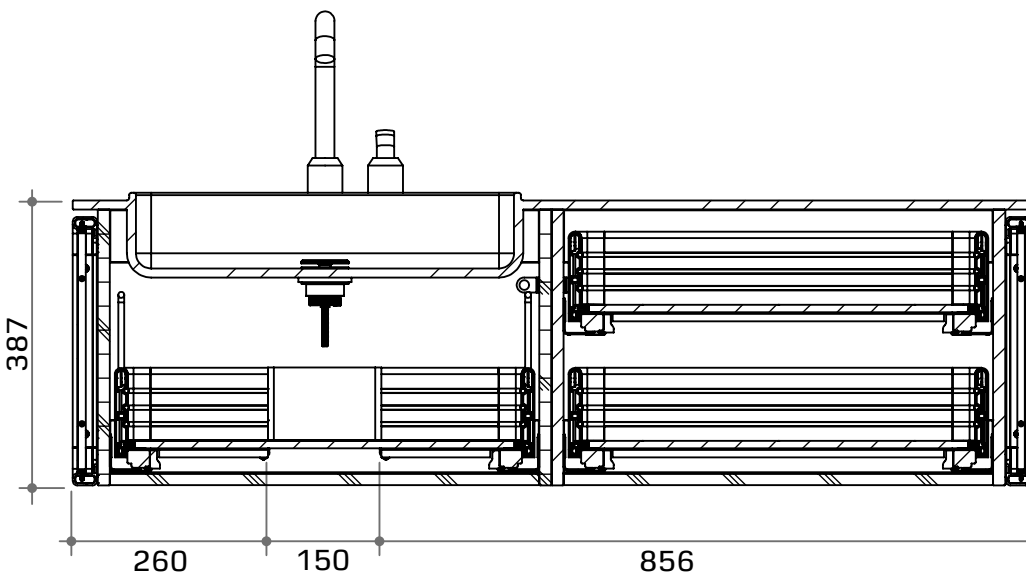
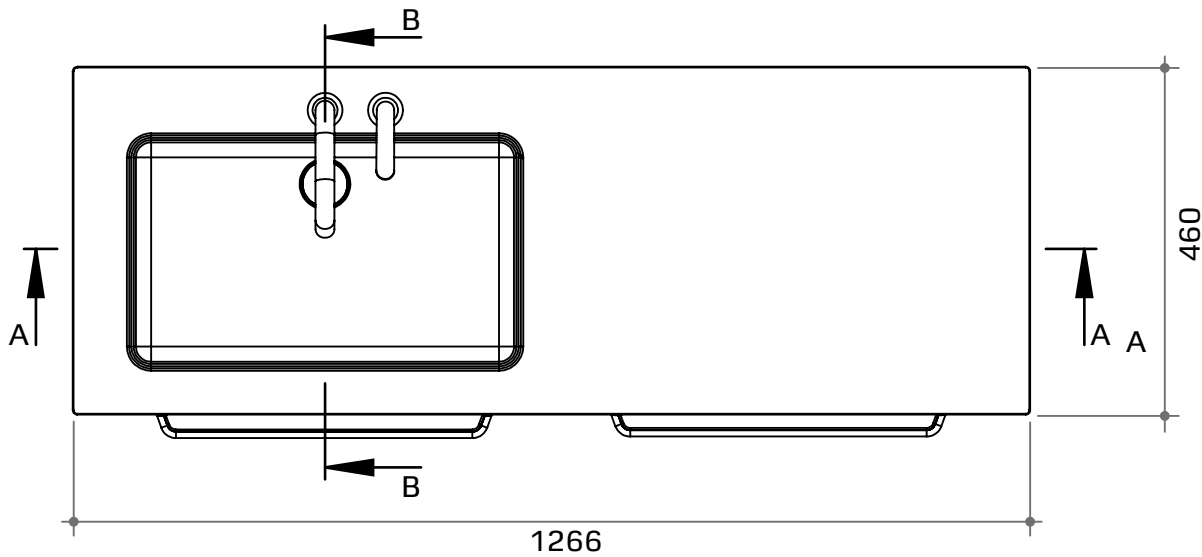
SECTION B-B

1:10 on A4 | Measurements are in mm

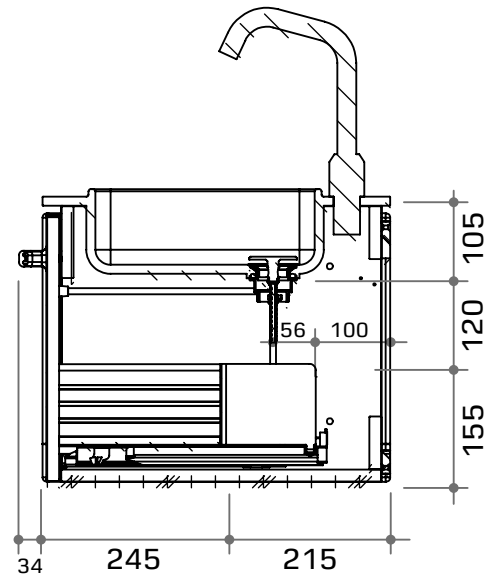
VIPP982
BATH MODULE
MEDIUM



Clearance area for drain and pipes



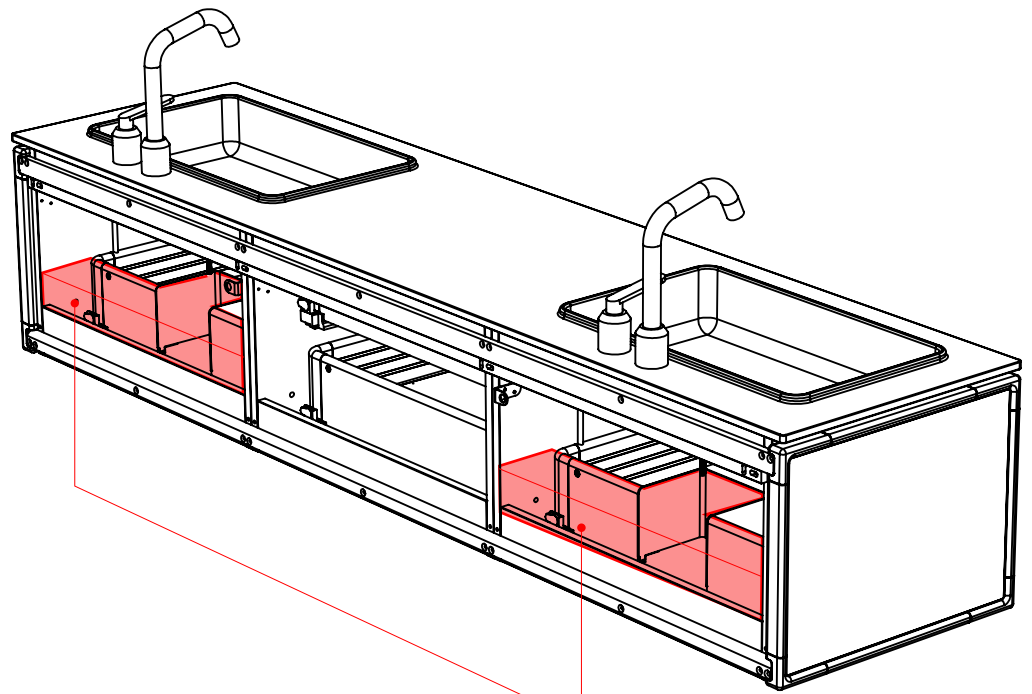
SECTION A-A



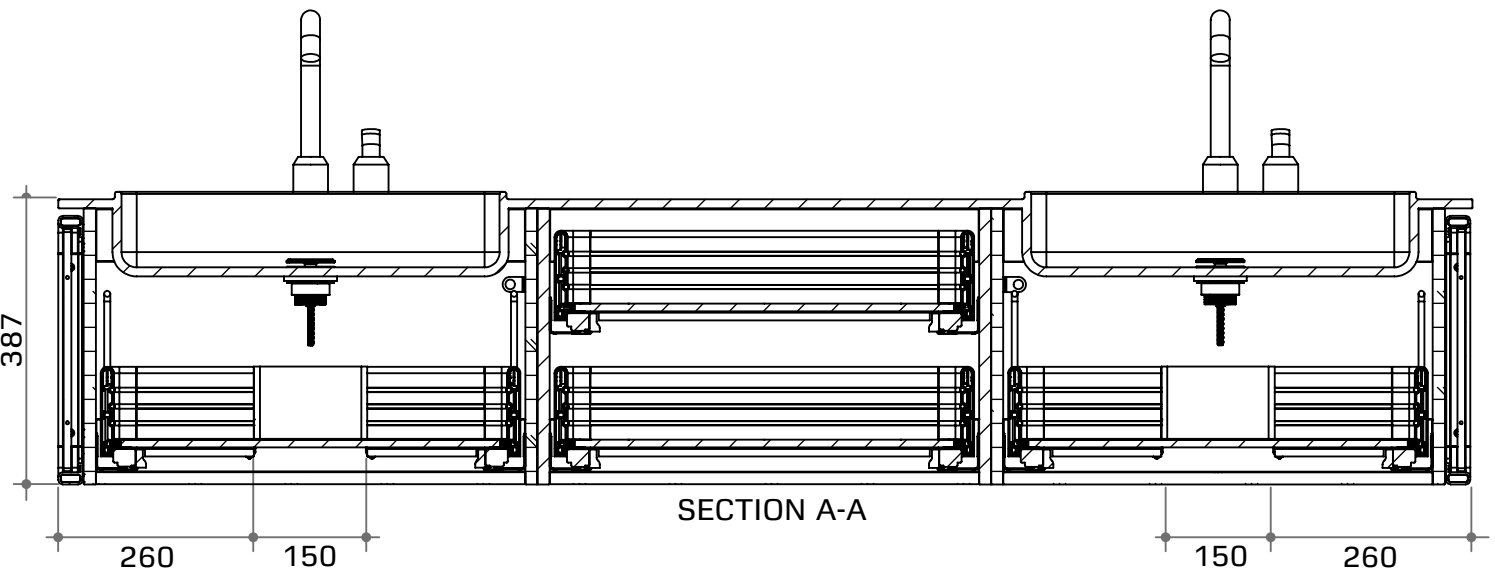
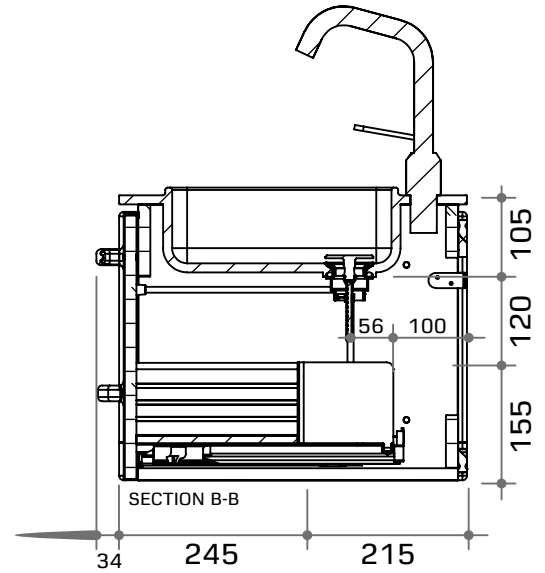
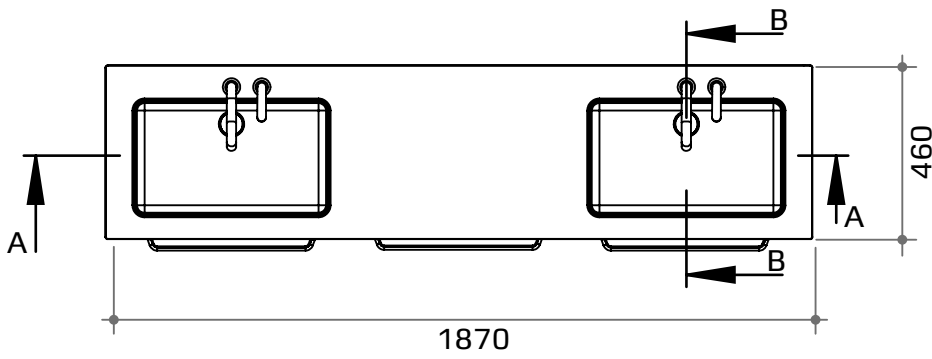
SECTION B-B

1:10 on A4 | Measurements are in mm

VIPP983
BATH MODULE
LARGE



Clearance area for drain and pipes



1:10 on A4 | Measurements are in mm