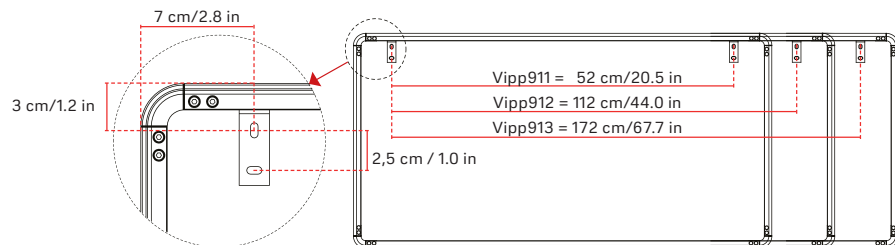


## INSTALLATION GUIDE HORIZONTAL MOUNTING

### Vipp911/912/913 mirror

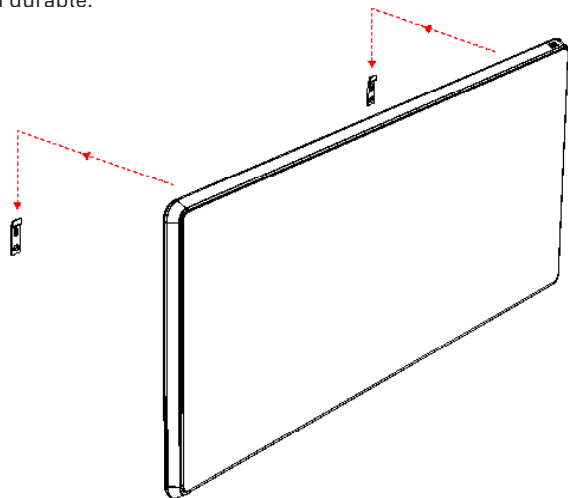
Please use correct wall anchors and screws matching both the weight of the mirror and the wall type. The total weight of each mirror type is listed below:



### Weight

Vipp911 mirror, small: 7,5 kg / 16.5 lbs  
Vipp912 mirror, medium: 13,5 kg / 29,8 lbs  
Vipp913 mirror, large: 20 kg / 44 lbs

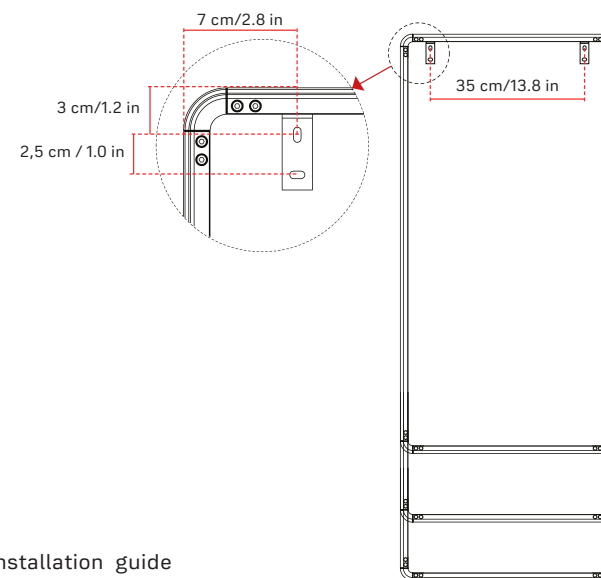
Drill holes for the mounting brackets. Mount the brackets with anchors and screws. Adjust the height of the brackets with a spirit level. Place the mirror against the wall and slide it downwards until the mirror frame locks properly onto both brackets. If you can pull the mirror outwards without detaching it from the brackets, the mounting is complete and durable.



## INSTALLATION GUIDE VERTICAL MOUNTING

### Vipp911/912/913 mirror

Please use correct wall anchors and screws matching both the weight of the mirror and the wall type.



Please follow the installation guide on the previous page.