

VIPP473

Rack, low

IMPORTANT SAFETY INSTRUCTIONS

Important information

Read carefully. Keep this information for future reference.

WARNING

Serious or fatal crushing injuries can occur from furniture tip-over. To prevent the rack from tipping over, it should be permanently fixed to the wall. A wall mount is included but since different wall materials require different types of screws, screws for fixating the rack to the wall are not included. Make sure to use screws suitable for the walls in your home. For advice, contact your local specialised dealer.

Please note that due to the heaviness of this product, we recommend that the installation is carried out by two people.

ASSEMBLY GUIDE



1 x complete shelf with logo containing:
1 x top shelf frame with logo
1 x ceramic plate



2 x complete shelf containing:
1 x shelf frame
1 x ceramic plate



4 x corner profiles



1 x hex key

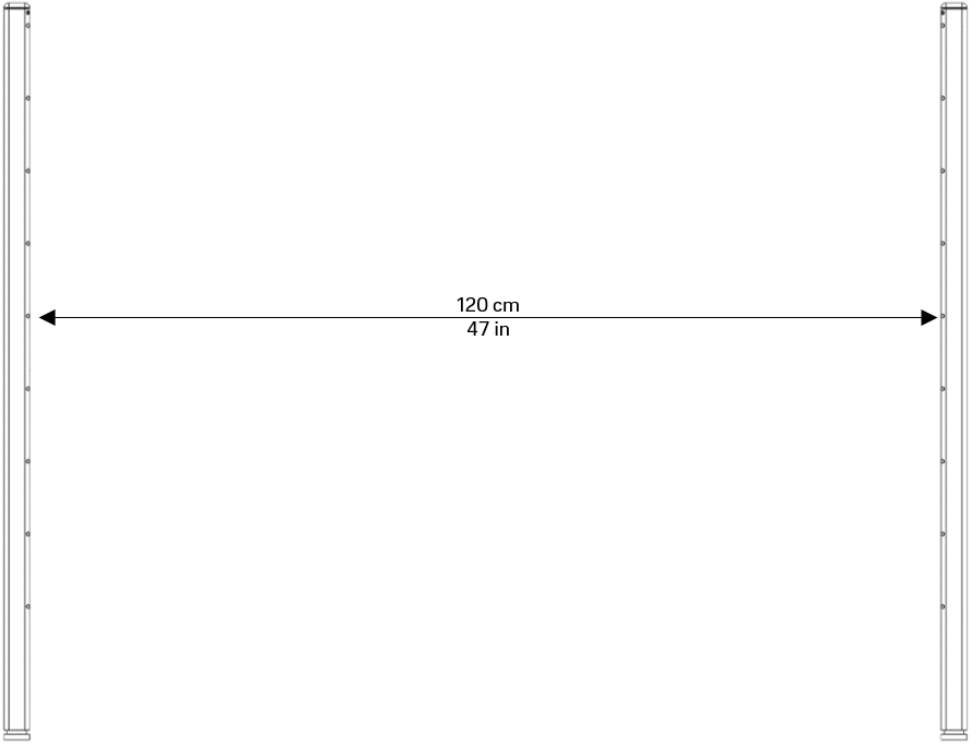


12 x M5 Screw

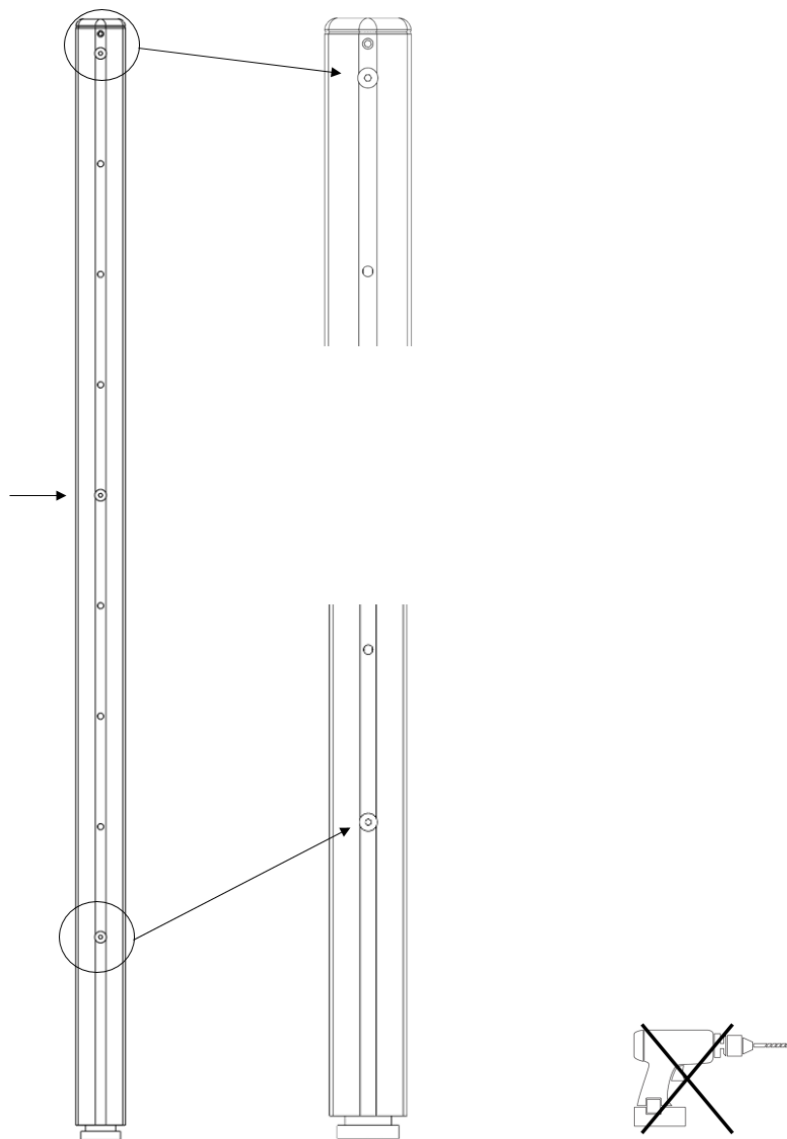


2 x people

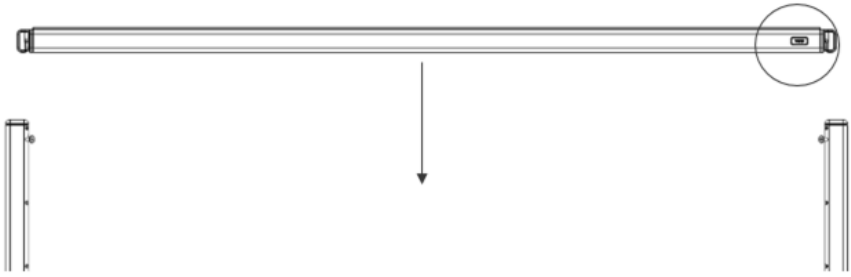
Please note: Due to the heaviness of this product, we recommend that the installation is carried out by two people.



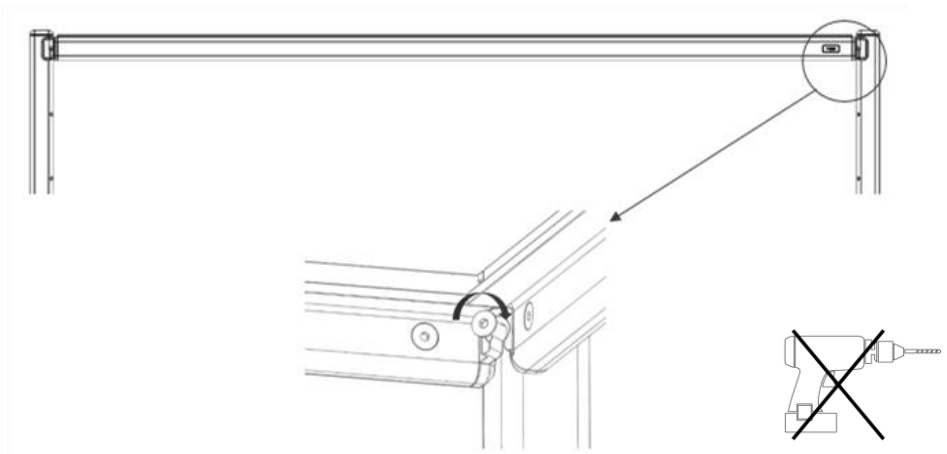
Place two of the corner profiles on the floor with the shown distance.



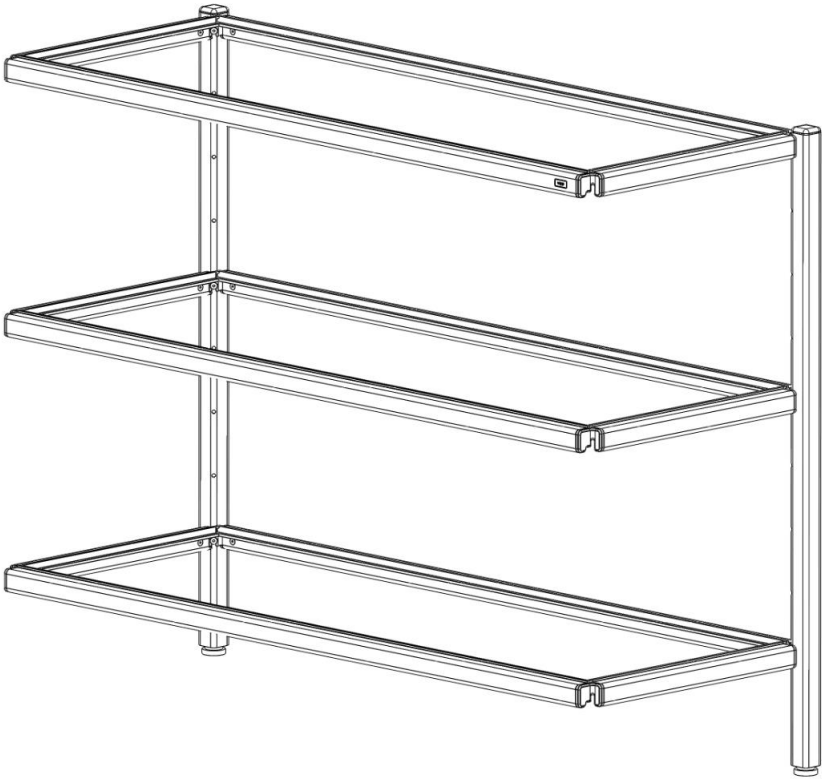
Insert 3 screws in all four corner profiles by hand power. Do not use a hex key or power tool. Do not tighten the screws fully. Start by inserting screws in the top and bottom hole. The last screw can be placed according to the desired placement of shelves. The illustration shows an even placement in every fourth hole.



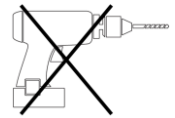
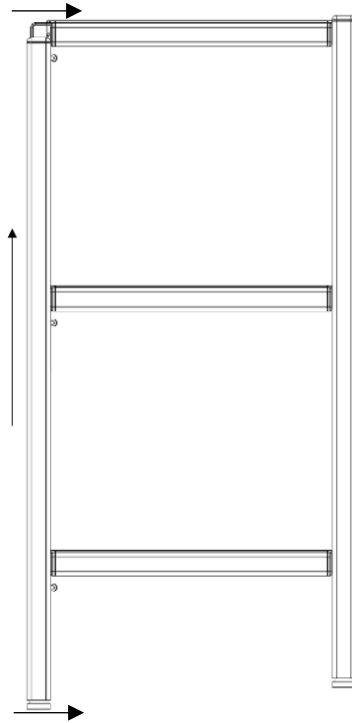
Install the top shelf (the shelf with a Vipp logo on the right) and slide it down onto the two top screws.



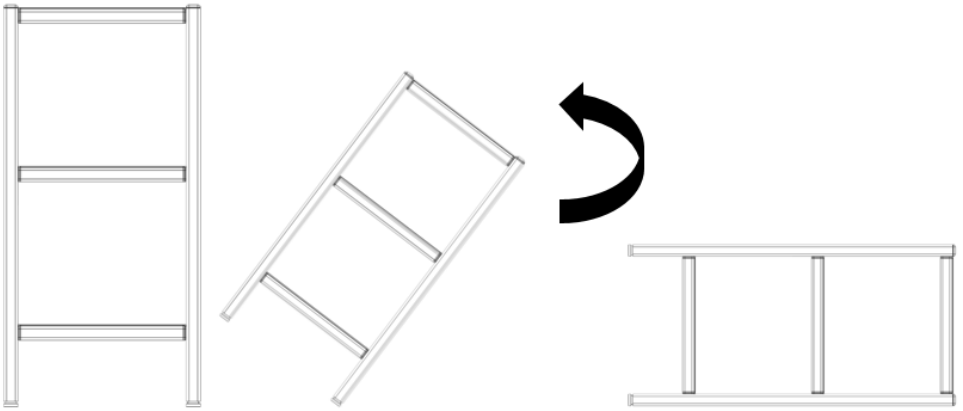
Tighten the screws on both corner profiles using a hex key. Do not use power tool.



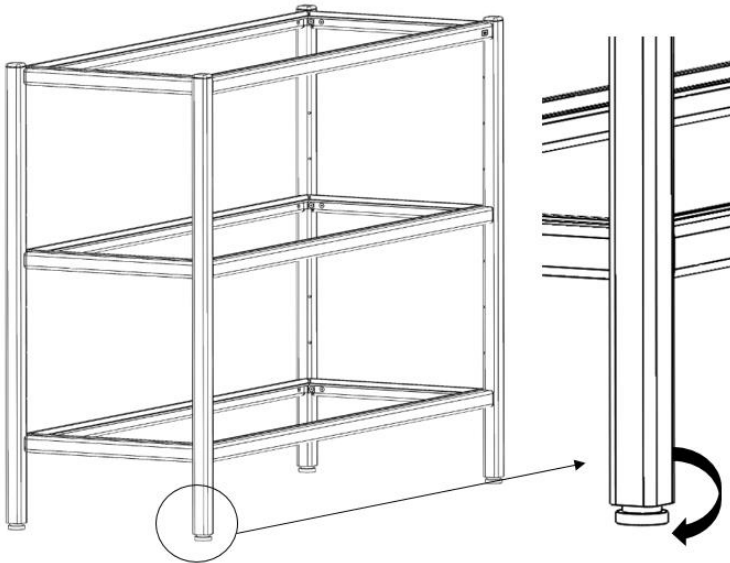
Repeat the process with the bottom shelf followed by the last shelves.



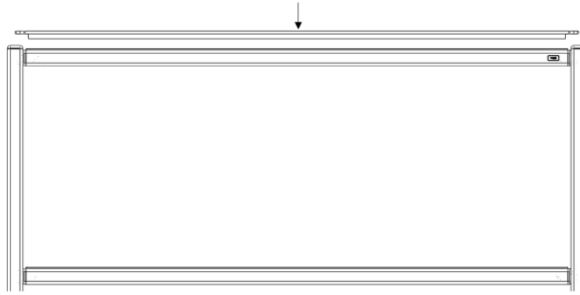
Slide the two last corner profiles onto the shelves. Tighten the screws fully on all corner profiles using a hex key. Do not use power tool.



Lift the rack from the floor to a standing position.

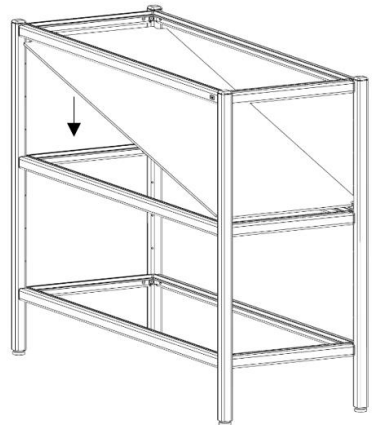
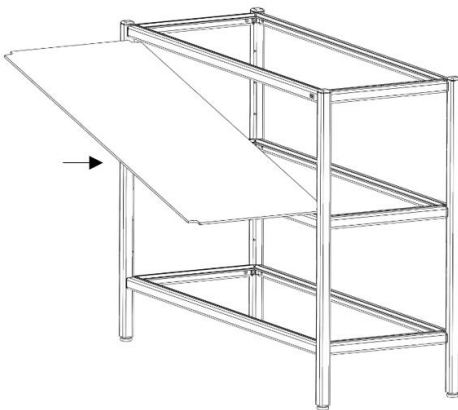


Adjust the height of the rack by turning the set screws.



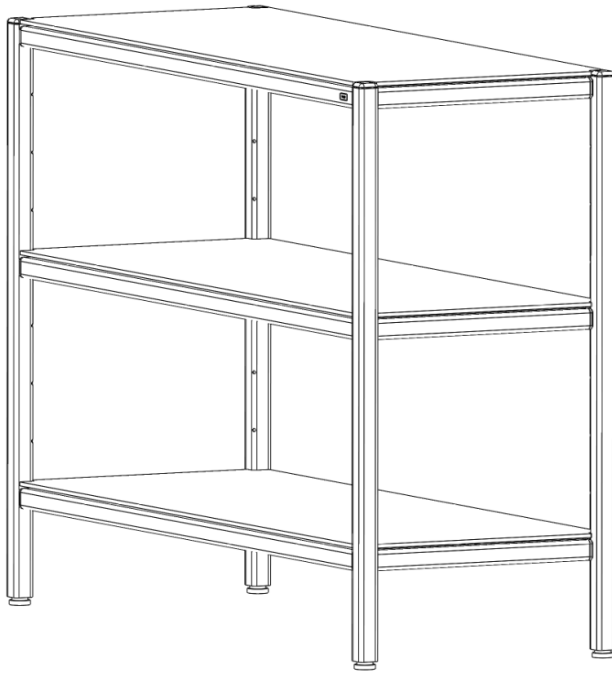
Install the three ceramic plates. It is advised to be two persons to lift and install the ceramic plates.

Start by lifting on the top plate.



The remaining ceramic plates must be lifted in an angled position to be inserted.

Please note: Be careful not to bump the ceramic plates into the rack, as this may damage the plates.



The rack is now installed and ready for use.

CONTACT

Vipp Office

Snorresgade 22 | 2300 Copenhagen S | Denmark
+45 4588 8800 | info@vipp.com

Vipp Concept Store and Kitchen Showroom

Ny Østergade 34 | 1101 Copenhagen K | Denmark
+45 4588 8815 | cph@vipp.com

Vipp USA LLC Showroom

83 Murray Street, #3 | New York, NY 10007 | USA
+1 (917) 580 2148 | vippusa@vipp.com

vipp.com